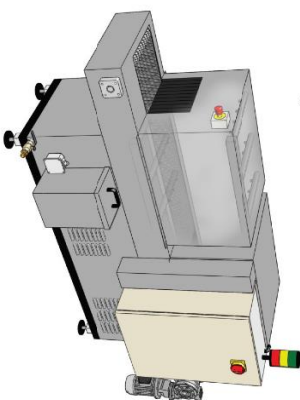




In stainless steel

SILVER LINE

◆ Stainless steel belt conveyor for wash and dry



“ In stainless steel ”	unit
Available width of conveyor belt	inches
Usable washing height	inches
Real load	lb/yard
Conveyor belt speed	fpm
Loading height	inches
Wash tank	gal US
Wash pump	Hp
Wash flow rate - Pressure	GPM PSI
Wash electrical heating	Kw
Solution temperature	°F
Steam aspirator	Hp CFM
Electric drying	Kw
Overall width	inches
Overall height	inches
Overall depth	inches
Power supply	Volt

	S200	S300	S400
Available width of conveyor belt	8"	12"	16"
Usable washing height	12"	12"	12"
Real load	100	100	100
Conveyor belt speed	0,7-3,3	0,7-3,3	0,7-3,3
Loading height	32"	32"	32"
Wash tank	40	40	40
Wash pump	1,2	1,2	1,2
Wash flow rate - Pressure	32 36	32 36	32 36
Wash electrical heating	12	12	12
Solution temperature	100-140	100-140	100-140
Steam aspirator	0,25 180	0,25 180	0,25 180
Electric drying	9	9	9
Overall width	47"	47"	47"
Overall height	70"	70"	70"
Overall depth	106"	106"	106"
Power supply	460V 3ph+N 60Hz	460V 3ph+N 60Hz	460V 3ph+N 60Hz



MAGIDO®

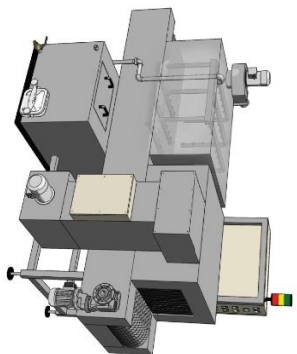


BELT CONVEYOR LINE



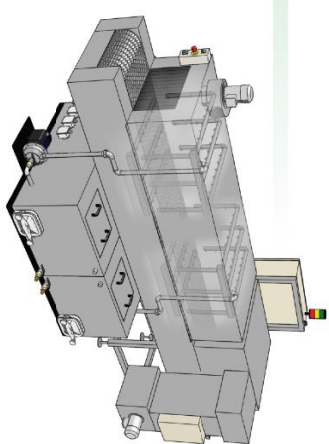


In stainless steel



GOLD LINE

◆ Stainless steel belt conveyor single or multi stage



" In stainless steel "

	unit
Available width of conveyor belt	inches
Usable washing height	inches
Real load	lb/yd
Conveyor belt speed	fpm
Loading height	inches
Wash tank	gal US
Rinse tank	gal US
Wash pump	Hp
Wash flow rate - Pressure	GPM PSI
Rinse pump	Hp
Rinse flow rate - Pressure	GPM PSI
Wash electrical heating	Kw
Rinse electrical heating	Kw
Solution temperature	°F
Steam aspirator	Hp CFM
Electric drying	Kw
Overall width	Inches
Overall height	Inches
Overall depth	inches
Power supply	Volt

G200	G300	G400	G500	G600	G700	G800	G900	G1000
8"	12"	16"	20"	23"	27"	31"	35"	39"
10"	10"	10"	14"	14"	14"	14"	14"	14"
100	100	100	100	100	100	100	100	100
1-5	1-5	1-5	1-5	1-5	1-5	1-5	1-5	1-5
40"	40"	40"	40"	40"	40"	40"	40"	40"
90	90	90	120	120	120	140	140	140
-	-	-	-	-	-	-	-	-
3	3	3	4	4	4	5.5	5.5	5.5
50	50	50	80	80	80	90	90	90
43	43	43	50	50	50	60	60	60
-	-	-	-	-	-	-	-	-
-	-	-	-	-	-	-	-	-
18	18	18	24	24	24	30	30	30
-	-	-	-	-	-	-	-	-
100-160	100-160	100-160	100-160	100-160	100-160	100-160	100-160	100-160
0.25	0.25	0.25	0.75	0.75	0.75	0.75	0.75	0.75
180	180	180	470	470	470	470	470	470
12	12	12	15	15	15	18	18	18
70"	70"	70"	85"	85"	85"	95"	95"	95"
70"	70"	70"	80"	80"	80"	85"	85"	85"
120"	120"	120"	120"	120"	120"	120"	120"	120"
460V 3ph+N 60Hz	460V 3ph+N 60Hz	460V 3ph+N 60Hz	460V 3ph+N 60Hz	460V 3ph+N 60Hz	460V 3ph+N 60Hz	460V 3ph+N 60Hz	460V 3ph+N 60Hz	460V 3ph+N 60Hz

G200/2	G300/2	G400/2	G500/2	G600/2	G700/2	G800/2	G900/2	G1000/2
8"	12"	16"	20"	23"	27"	31"	35"	39"
10"	10"	10"	14"	14"	14"	14"	14"	14"
100	100	100	100	100	100	100	100	100
1-5	1-5	1-5	1-5	1-5	1-5	1-5	1-5	1-5
40"	40"	40"	40"	40"	40"	40"	40"	40"
90	90	90	120	120	120	140	140	140
90	90	90	120	120	120	140	140	140
3	3	3	4	4	4	5.5	5.5	5.5
50	50	50	80	80	80	90	90	90
43	43	43	50	50	50	60	60	60
3	3	3	4	4	4	5.5	5.5	5.5
50	50	50	80	80	80	90	90	90
43	43	43	50	50	50	60	60	60
18	18	18	24	24	24	30	30	30
12	12	12	16	16	16	18	18	18
100-160	100-160	100-160	100-160	100-160	100-160	100-160	100-160	100-160
0.25	0.25	0.25	0.25x2	0.25x2	0.25x2	0.25x2	0.25x2	0.25x2
180	180	180	180x2	180x2	180x2	180x2	180x2	180x2
12	12	12	15	15	15	18	18	18
70"	70"	70"	85"	85"	85"	95"	95"	95"
70"	70"	70"	80"	80"	80"	85"	85"	85"
180"	180"	180"	180"	180"	180"	180"	180"	180"
460V 3ph+N 60Hz	460V 3ph+N 60Hz	460V 3ph+N 60Hz	460V 3ph+N 60Hz	460V 3ph+N 60Hz	460V 3ph+N 60Hz	460V 3ph+N 60Hz	460V 3ph+N 60Hz	460V 3ph+N 60Hz